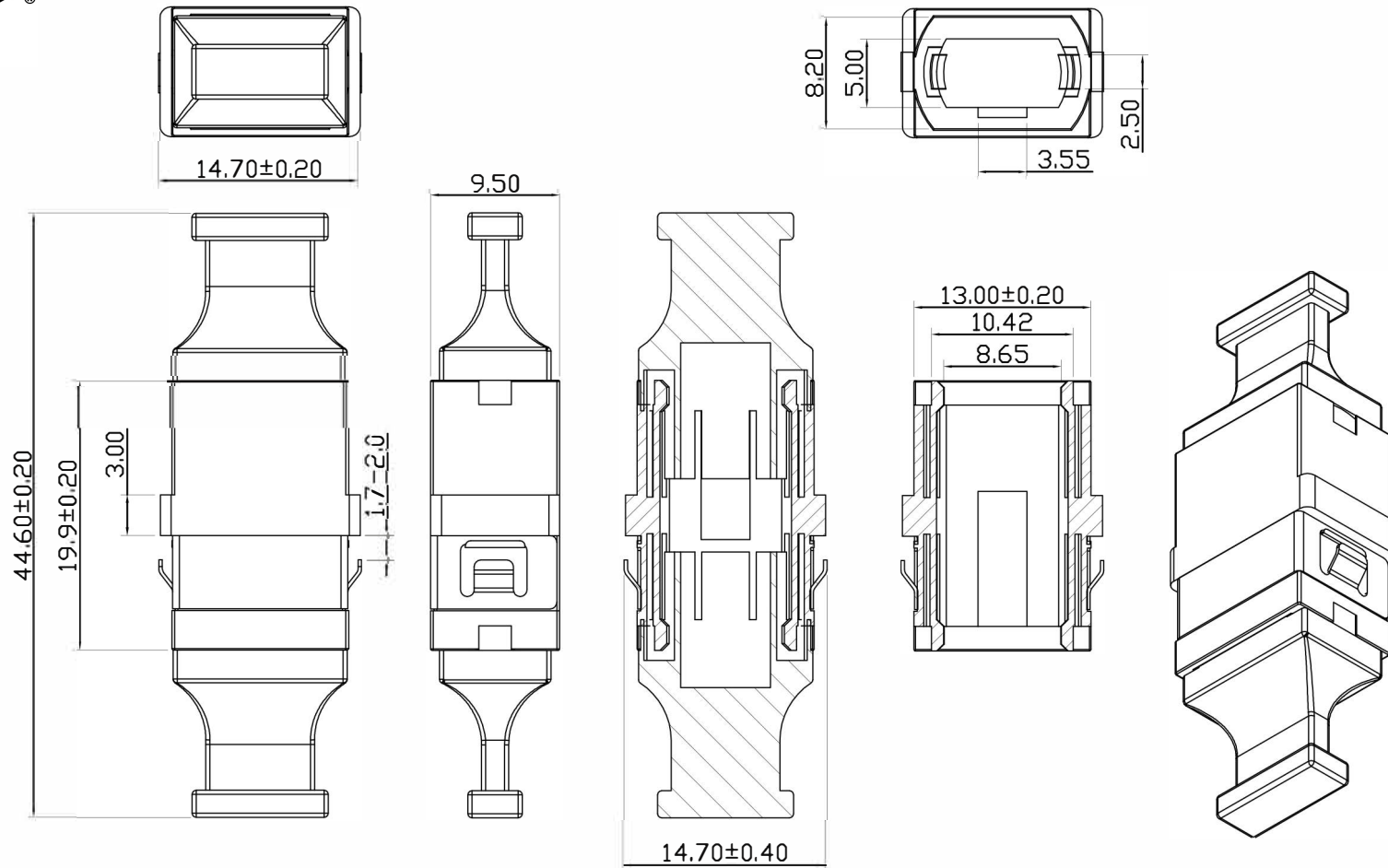




MPO/MTP (Key Up - Key Down) Fiber Optic Coupler

NOTE: ALL MATERIAL COMPLIANT ROHS STANDARD



SPECIFICATIONS

1. Tolerances (See Table)
2. The surface of the product must not have any shrinkage, burrs, and deformations
3. Materials meet RoHS standards
4. Includes SC Footprint
5. Color: Multimode OM3/4 (Aqua) | Singlemode APC (Green)

Approved	T.D.	Material	PBT	TOLERANCES EXCEPT AS NOTED	
Checked	A.L.	Unit	mm	>0mm ~ 3mm	± 0.05 mm
Designed	C.H.	Version	A	>3mm ~ 18mm	± 0.10 mm
Date	05/22/2020	Third View		>18mm ~ 50mm	± 0.15 mm
Size	A4	Scale	1:1	>50mm	± 0.20 mm
				ANGLES	ALL $\pm 0.5^\circ$

SKU: SFOX-MPO-XX-XX

LANshack
Sales@LANshack.com | 888-568-1230